



匯統國際股份有限公司
Huey Tung International Co., Ltd.

產品規格書 Specification

[Model : HT-NS2840PL4 / 2013.2.21 version]



Cara Audio Corporation

No.69, Lane 762, Dingzhong Road, Sanmin District, Kaohsiung City, Taiwan, ROC.


Tel: 886-7-310 5786 / Fax: 886-7-310 0783

E-mail: carawang@hueytung.com.tw / <http://www.hueytung.com.tw>

揚聲器製品規格書

SPEAKER SPECIFICATION

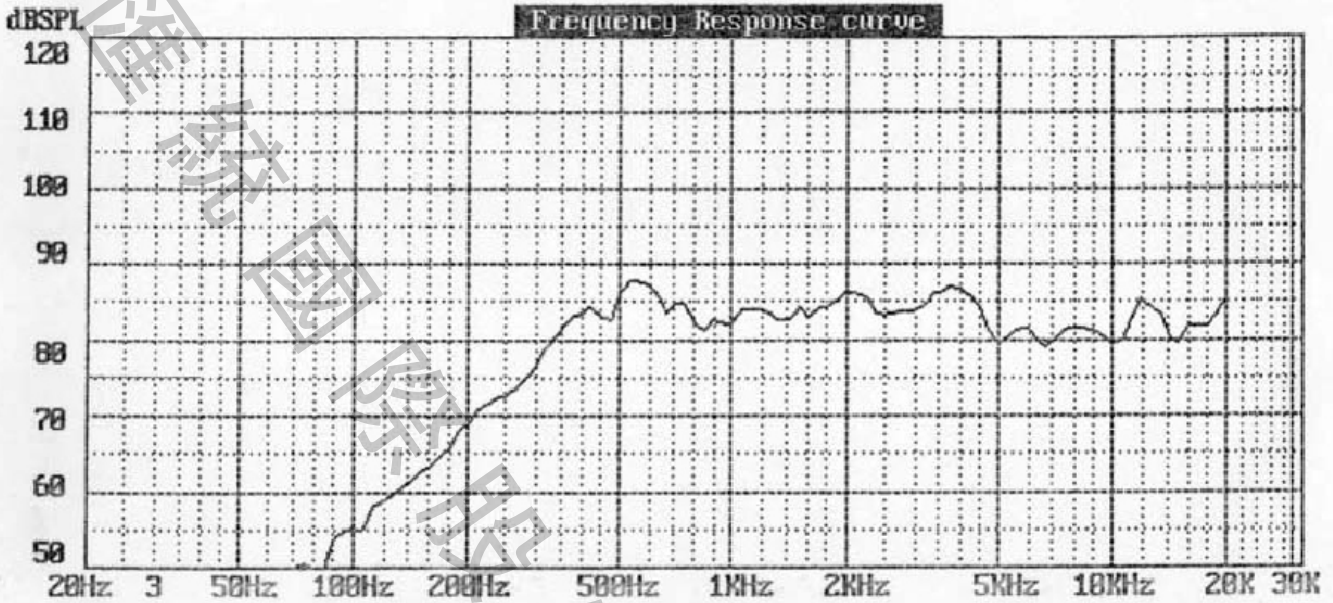
型號 Model Number: HT-NS2840PL4

項目 Items		規格 Specification			
1	公称阻抗 Nominal Impedance	4Ω±15% at 1000 Hz 1.0v			
2	最低共振周波数 Lowest Resonance Frequency	430 Hz±20%Hz (入力 0.8V の条件下)			
3	实效周波数帯域 Effective Frequency Range	F0~20KHz -10dB			
4	出力音圧 Output Sound Pressure Level	84dB±3dB 1W/0.5M at (600,800,1000,1200)Hz AVE			
5	入力 Input	定格入力 Rated input 2 W	最大入力 Maximum input 3 W		
6	磁束密度 Flux Density	-----±10% GAUSS			
7	異常音試験電圧 Buzz & Rattle Test	Must be normal at sine wave 2.0 V			
8	動作試験電圧 Operation Test	Must be normal at program source 2.83 V			
9	极性 Polarity	左正極			
10	磁石尺寸/重量 Magnet Dimension/Weigh	Magnet:12.5*2.5 N35 Sub Magnet:	2.21G		
11	連続負荷試験 Life Test	Din45573 2W 96 hours			
12	耐热試験 Heat Resistance	70°C±2°C 30%-35%RH 8Hours and then room temperature 1 hours			
13	耐湿試験 Humidity Resistance	40°C±2°C 90%-95%RH 8Hours and then room temperature 1 hours			
14	耐寒試験 Cold Resistance	-25°C±2°C 24Hours and then room temperature 1 hours			
15	落下試験 Drop Test	1M 75°±2°			
16	絶縁耐圧試験 Insulation Resistance	Or more 1MΩ 以上			
17	周波数特性 Frequency Response Curve	参照附图 On Other Drawing			
18	失真率 Distortion	/			
19	各部 材質	Cone Paper	布邊+紙		
		Voice Coil	13 芯 * 4Ω PSV 同向 180°		
		Cap	/		
20	总重量 Total Weight	/			
		試作發行: 2008.10.23	Approve: Arthur	Check: John	Design: LIU

音波曲線 Frequency: HT-NS2840PL4

Firm: HUEY TUNG ELECTRONIC Model: HT-NS2840PL4 DATE: 10-22-2000 TIME: 17:29:14
 1000Hz Sens. = 82.1dB SPL Pass F.R.: Pass DCR: 5.62Ω Pass
 Average SPL: 84.0dB SPL Pass (600; 800; 1000; 1200Hz) Sweep Speed: 1/12 Oct.

B 6.17

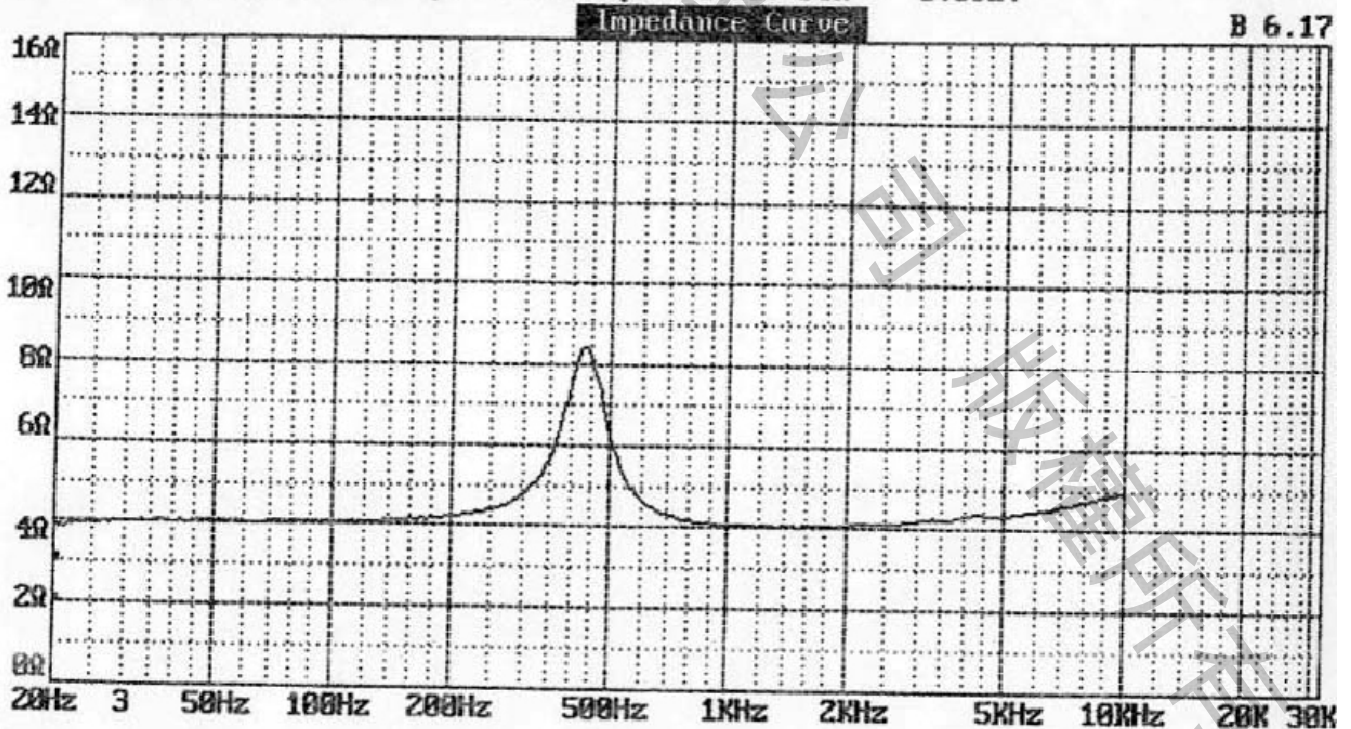


Voltage applied for $F.R.$ = 2.830V Start F. = 20Hz Stop F. = 20000Hz
 Measuring Distance = 0.50M

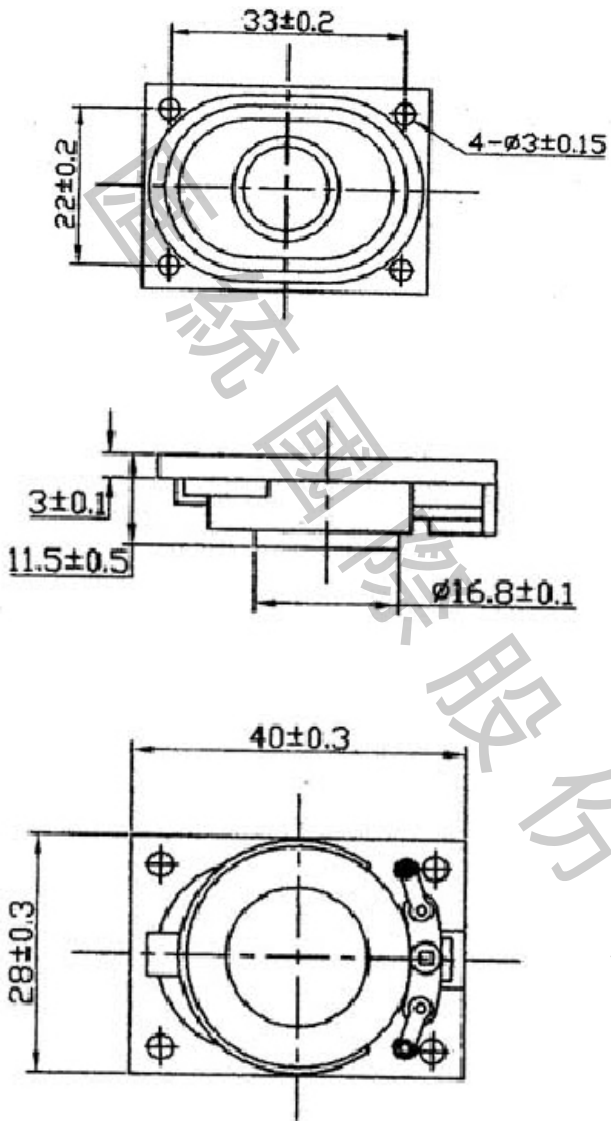
Mfg.: 40HM 2W

Firm: HUEY TUNG ELECTRONIC Model: HT-NS2840PL4 DATE: 10-22-2000 TIME: 17:31:36
 ACV = 1.000V $\hat{R}Z$ = 4.89 Ω @ 1000Hz.
 Start Freq. = 20Hz Stop Freq. = 10000Hz Sweep Speed: 1/48 Oct.
 F_0 = 430Hz; Q_m = 3.90; Q_e = 3.34; Q_t = 1.80; DCR = 3.89 Ω .

B 6.17



Mfg.: 40HM 2W



Tolerance: ± 0.5
Unit: mm